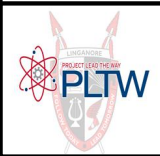


PARTS LIST			
ITEM	QTY	PART NUMBER	MATERIAL
1	1	BOTTOM 4X5	Wood (Birch)
2	2	SIDES 4X4	Wood (Birch)
3	1	BACK 4X4.5	Wood (Birch)
4	1	TOP 4X5	Wood (Birch)
5	2	AXLE BUSHING	ABS Plastic
6	2	ROLLER	ABS Plastic
7	2	FOLLOWER ROD	Wood (Birch)
8	1	AXLE	Wood (Birch)
9	1	CRANK	ABS Plastic
10	2	FOLLOWER GUIDE	ABS Plastic
11	1	PEAR CAM	ABS Plastic
12	1	SNAIL CAM	ABS Plastic



LINGANORE HIGH SCHOOL

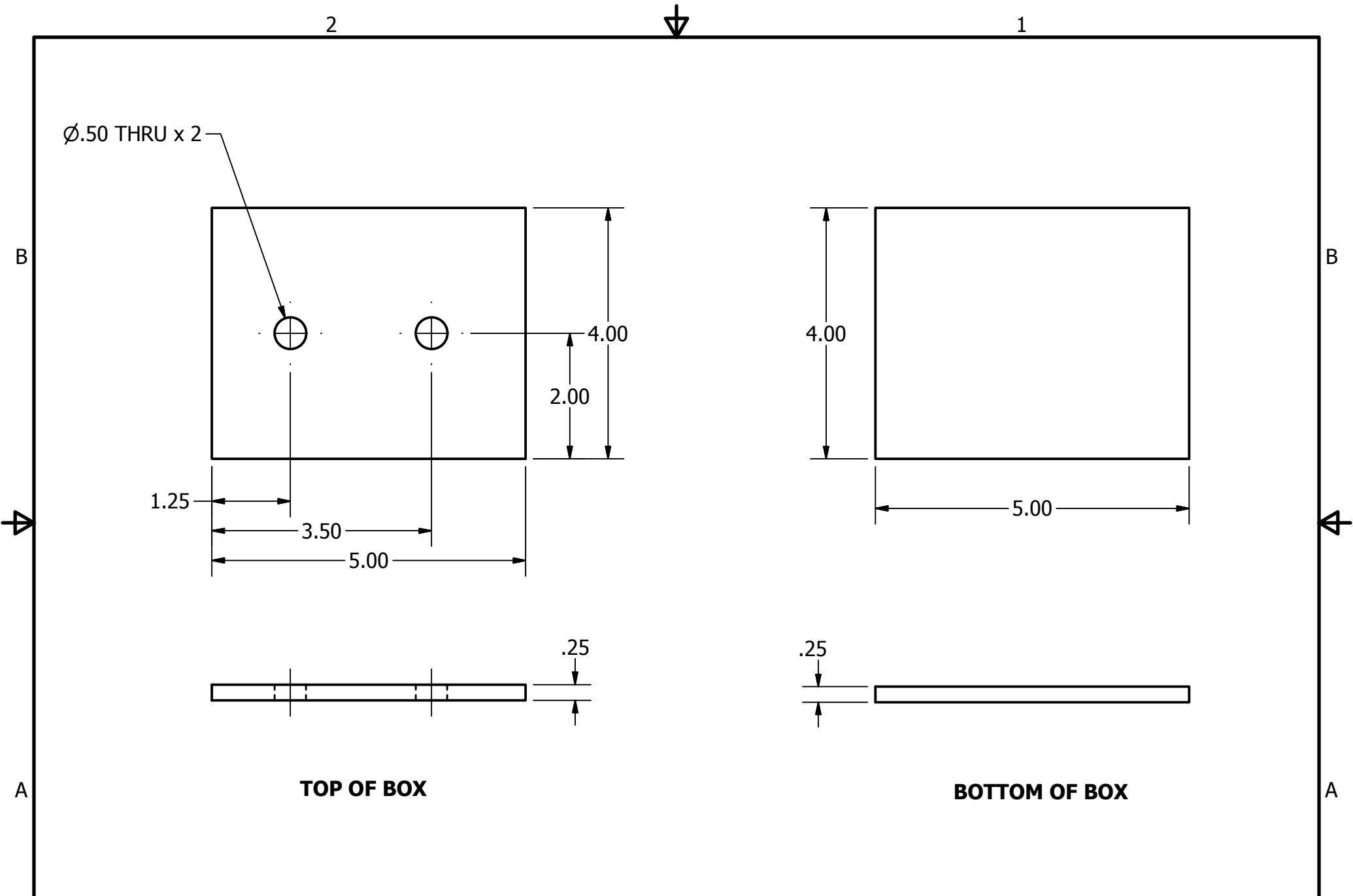
AUTOMATA

DRAWN BY: MR. LASTOVA

SCALE : .625 = 1

1/14/2018

ASSIGNMENT GRADE



LINGANORE HIGH SCHOOL

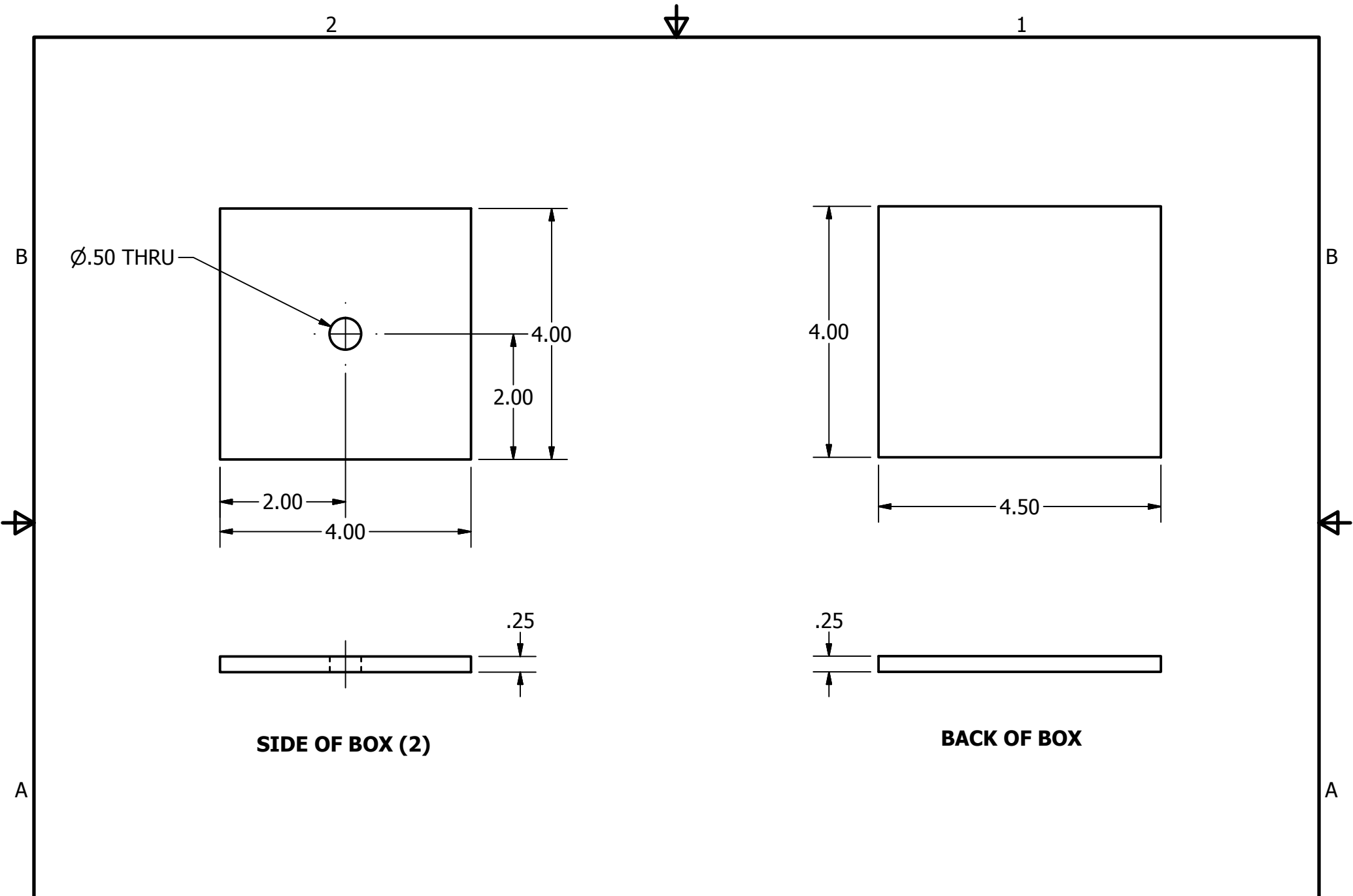
TOP & BOTTOM

DRAWN BY: MR. LASTOVA

SCALE : .5 = 1

1/14/2018

ASSIGNMENT GRADE



LINGANORE HIGH SCHOOL

DRAWN BY: MR. LASTOVA

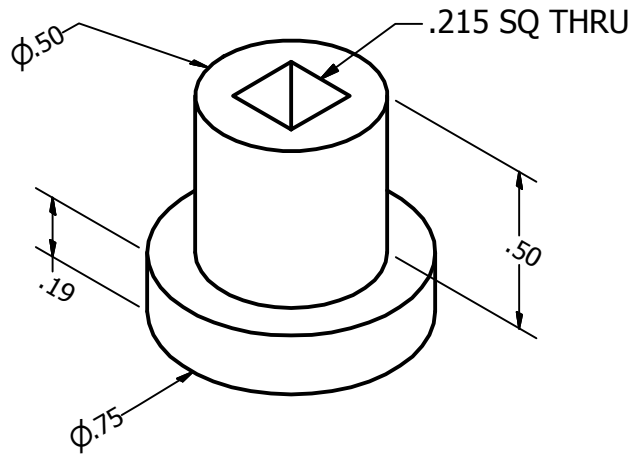
SIDES & BACK

SCALE : .5 = 1

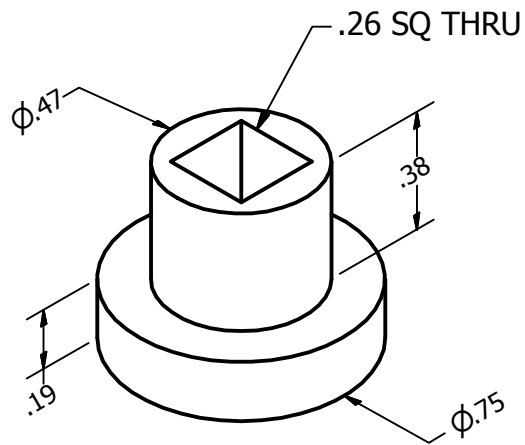
1/14/2018

ASSIGNMENT GRADE

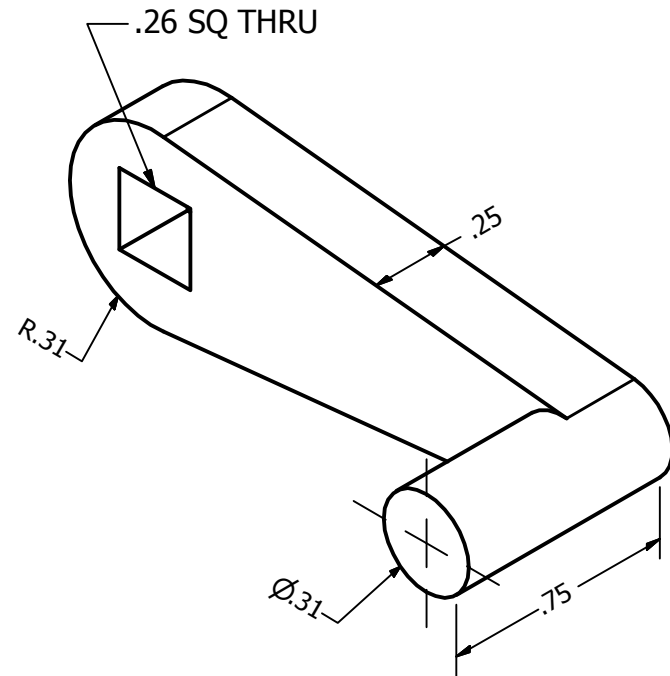




**FOLLOWER GUIDE**



**AXLE BUSHING**



**CRANK**

**NOTE:**  
1. CIRCULAR FEATURES  
ARE 1.5" ON CENTER



LINGANORE HIGH SCHOOL

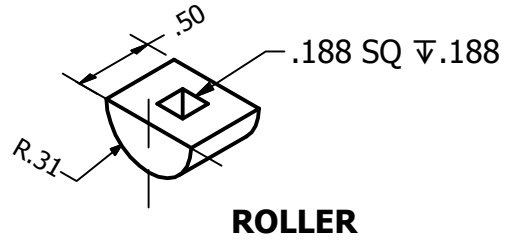
DRAWN BY: MR. LASTOVA

3D AUTOMATA SQ PARTS I

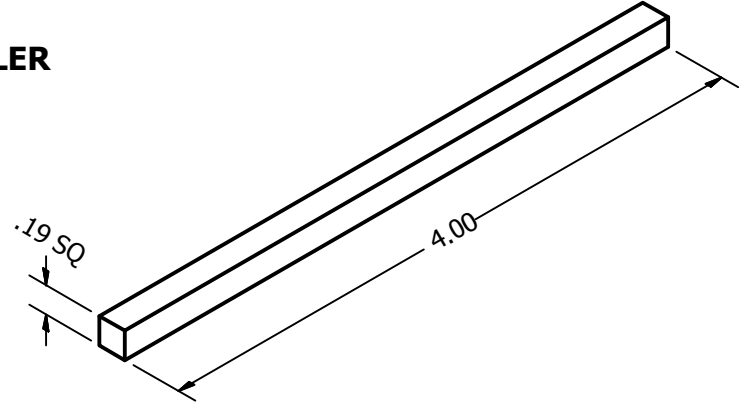
SCALE : 2:1

1/15/2018

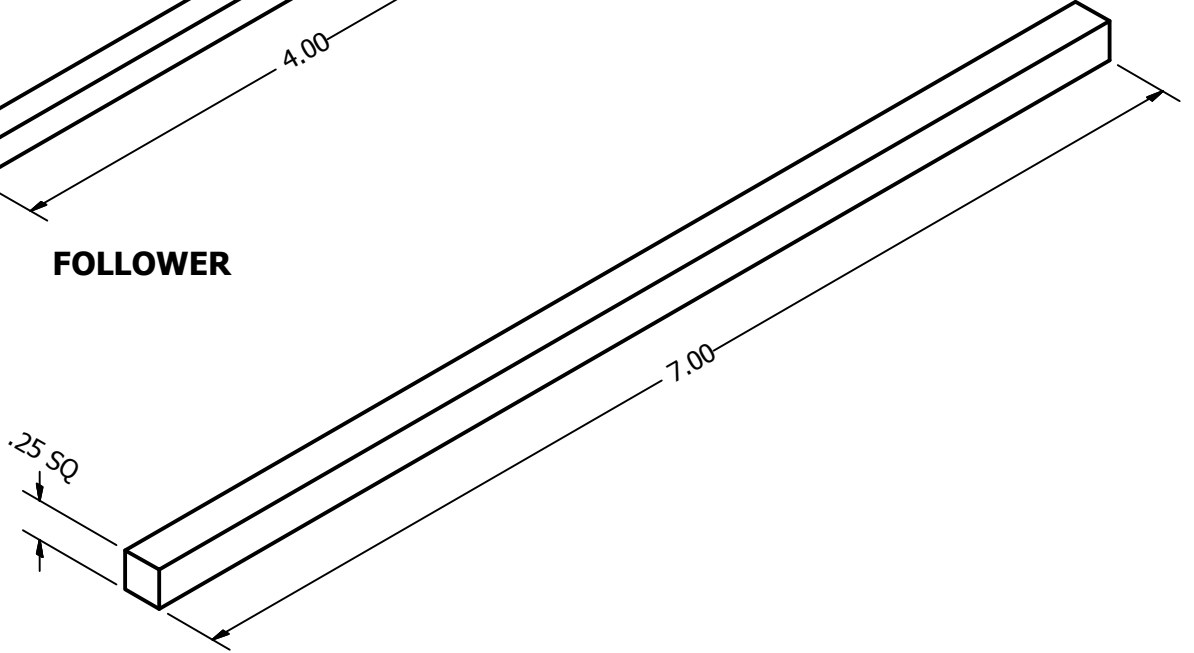
ASSIGNMENT GRADE



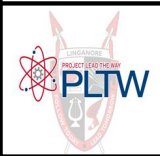
**ROLLER**



**FOLLOWER**



**AXLE**



LINGANORE HIGH SCHOOL

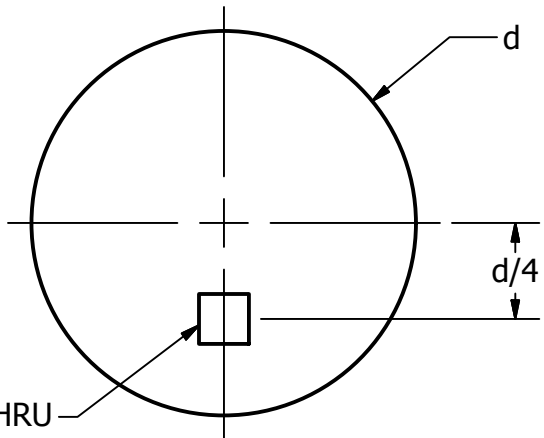
DRAWN BY: MR. LASTOVA

3D AUTOMATA SQ PARTS 2

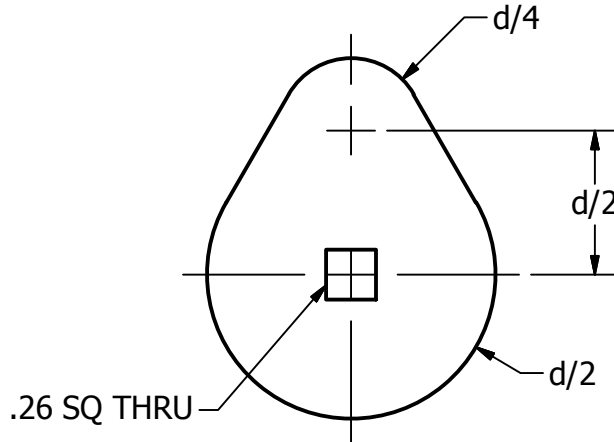
SCALE : 1:1

1/15/2018

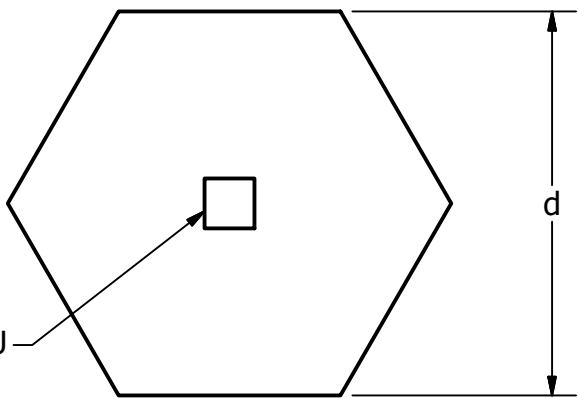
ASSIGNMENT GRADE



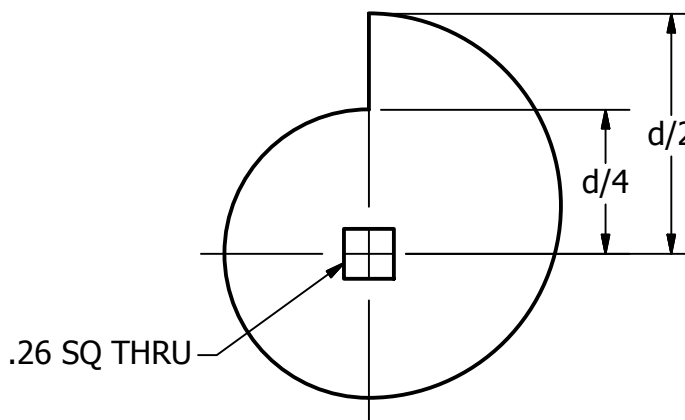
**ECCENTRIC CAM**



**PEAR CAM**



**HEX CAM**



**SNAIL CAM**

**NOTE:**  
 1. THICKNESS = 0.188 - 0.25 inches  
 2. NOMINAL SIZE (d)= 1.5 - 3.0 inches



LINGANORE HIGH SCHOOL

DRAWN BY: MR. LASTOVA

CAMS

SCALE : 1:1

1/15/2018

ASSIGNMENT GRADE